

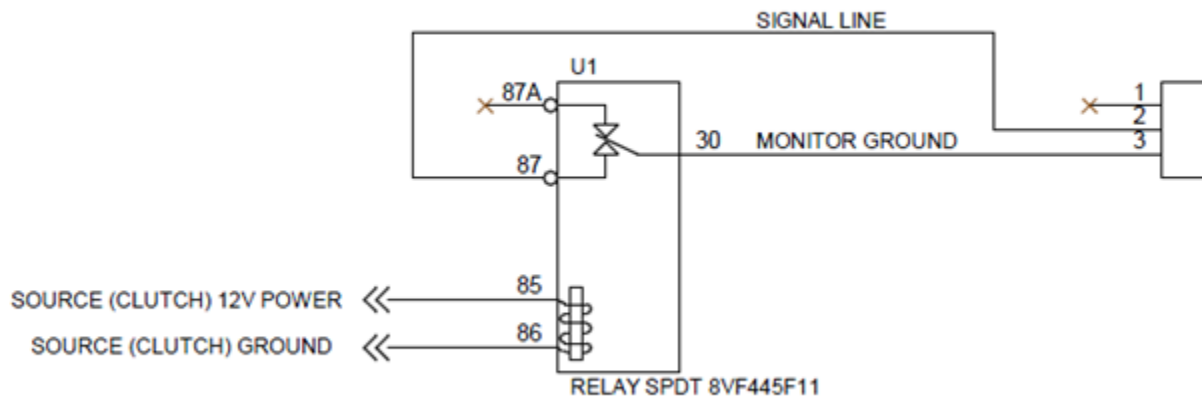
## ART SIGNAL LINE INVERTER/ADAPTER

The 9KRT06900 is an inverter/adapter which allows a customer to use a 12V power source (example - clutch) as a signal input (typically a work switch signal) on an ART breakout cable.

### Kit includes:

- 4 - Crimp on relay terminals - 800761354
- 2 - Butt Splices – 85005002
- 1 - #10 Self-tapping screws - 400508015
- 1 - Art Signal Line Inverter/Adapter – 9KRT06900

### ART Signal Inverter/Adapter Instructions



1. Connect adapter's 3 pin connector to a Sensor Breakout Cable extension. Note the channel # on the extension cable (Loop1 are 4,5,6, Loop2 are 7,8,9)
2. Use supplied #10 self-tapping screw to mount the relay
3. Connect relay contact #85 to power source (clutch positive) and relay contact #86 to ground source (clutch negative) using a length of 18 to 22AWG sized wire (not supplied)

## Calibrating ART 160/260

1. From the main rate screen, press **MODE**.
2. Press **CAL** several times until the SELECT SNR CH # screen appears.
3. Select the channel that the adaptor is plugged into using the up arrow key.
4. Press **OK**. This will bring the SNR CHANNEL #\_\_ screen.
5. Press the UP arrow several times until WORK SENSOR appears.
6. Press **OK**. The SELECT SNR CH # screen appears.
7. Press **CAL**. The WORKSWITCH LOGIC screen appears.
8. Press the **UP** or **DOWN** arrow to verify NORMAL is selected, not the INVERTED signal option.
9. Press **CAL** to go to the next screen.
10. When the work switch is off (relay open), it will silence all alarms. Distance continues to accumulate but area totals will not accumulate.

**Agtron Enterprises Inc. 242 Robin Cres. Saskatoon, SK. S7L 7C2  
TOLL FREE 1-800-667-0640 PH. 306-934-0640 FAX 306-668-7666**